

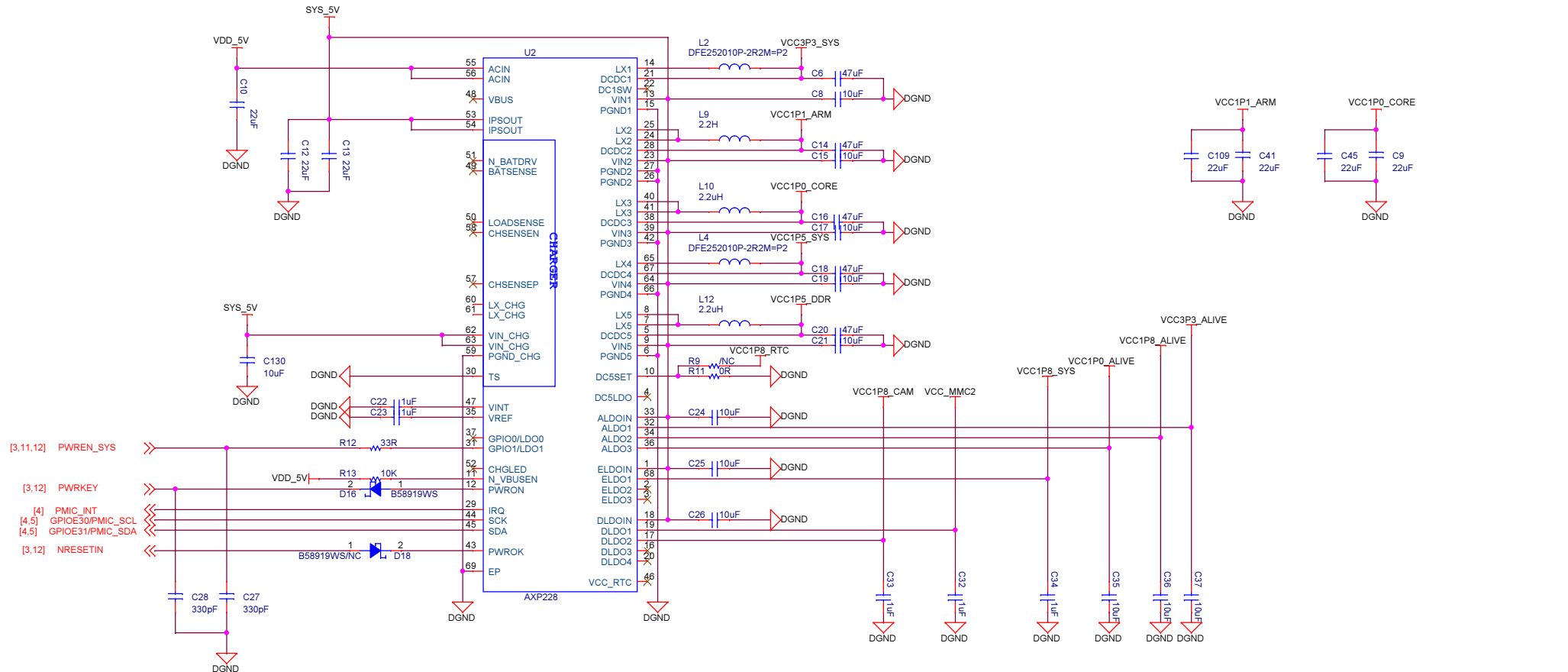
Smart4418

Revision

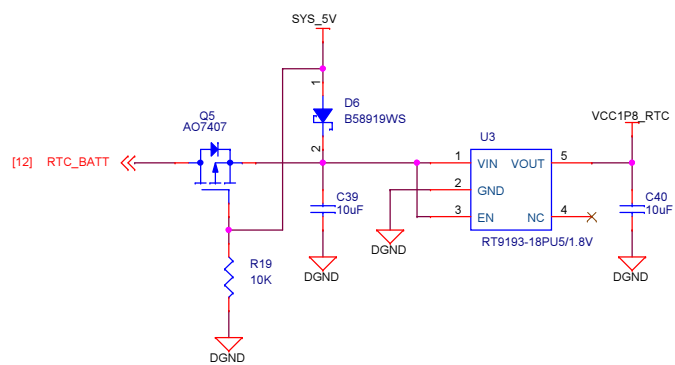
- 1512 , First Version
- 1608:
 - Modified PMIC(U2) schematic
 - Add PWREN SYS Output to P4.29
 - Add Q8, L \bar{I} N2, RIN2

FRIENDLYARM

Smart4418		
Size A3	Document Number 01.Title	Rev 1608
Date:	Friday, October 14, 2016	Sheet 1 of 12

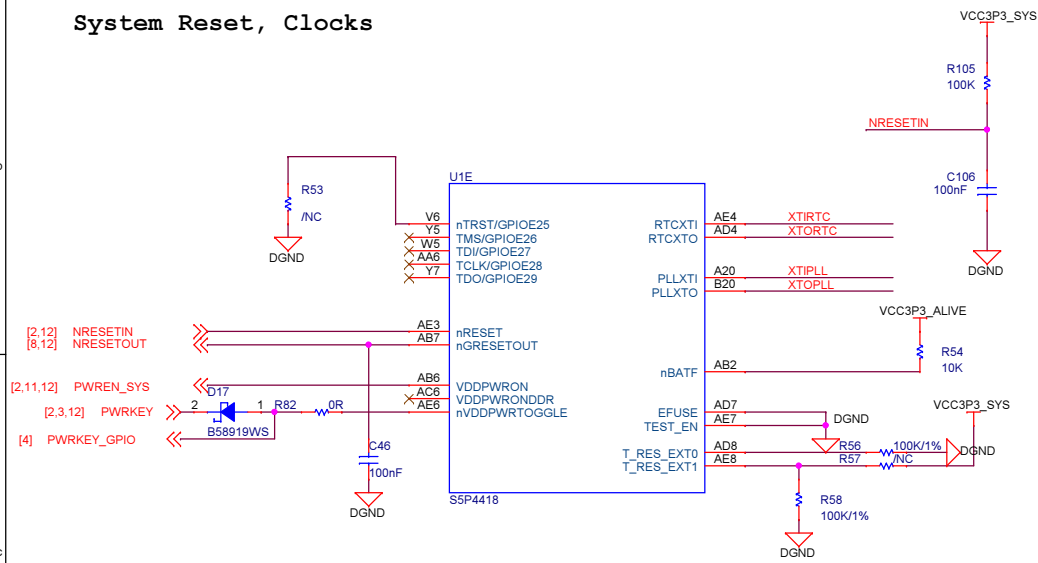


RTC Power

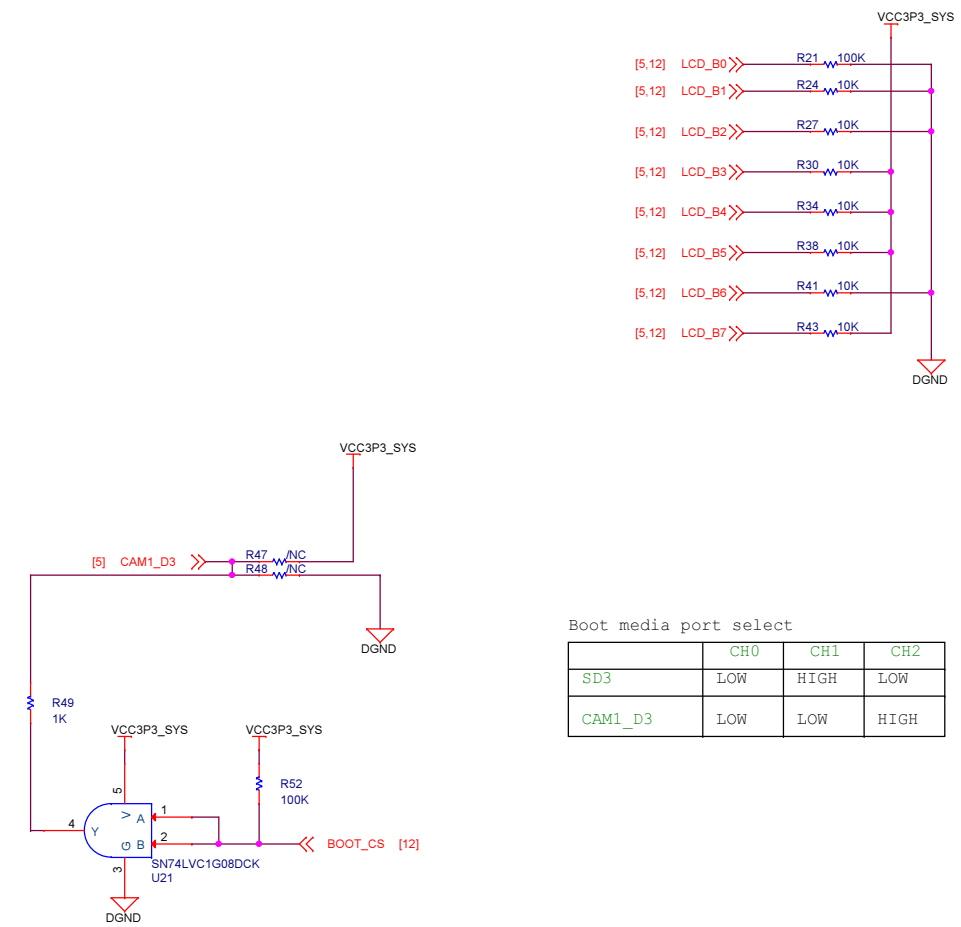


Smart4418		
Size A3	Document Number 02.PMIC	Rev 1608
Date: Friday, October 14, 2016	Sheet 2	of 12

System Reset, Clocks



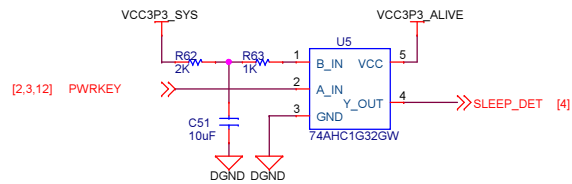
Boot Mode Config



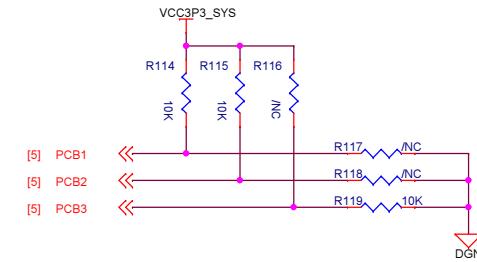
Boot media port select

	CH0	CH1	CH2
SD3	LOW	HIGH	LOW
CAM1_D3	LOW	LOW	HIGH

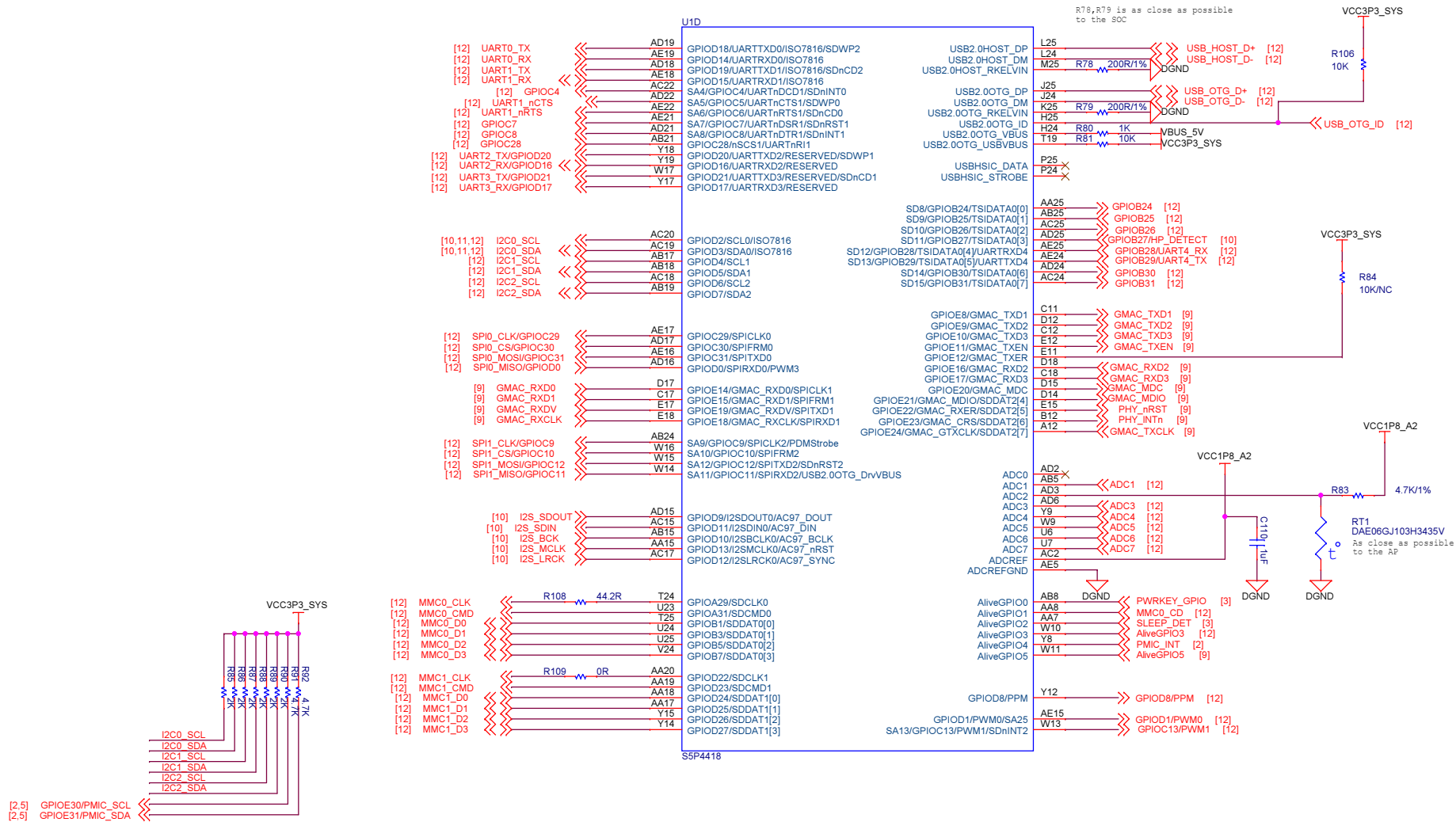
Sleep Detect

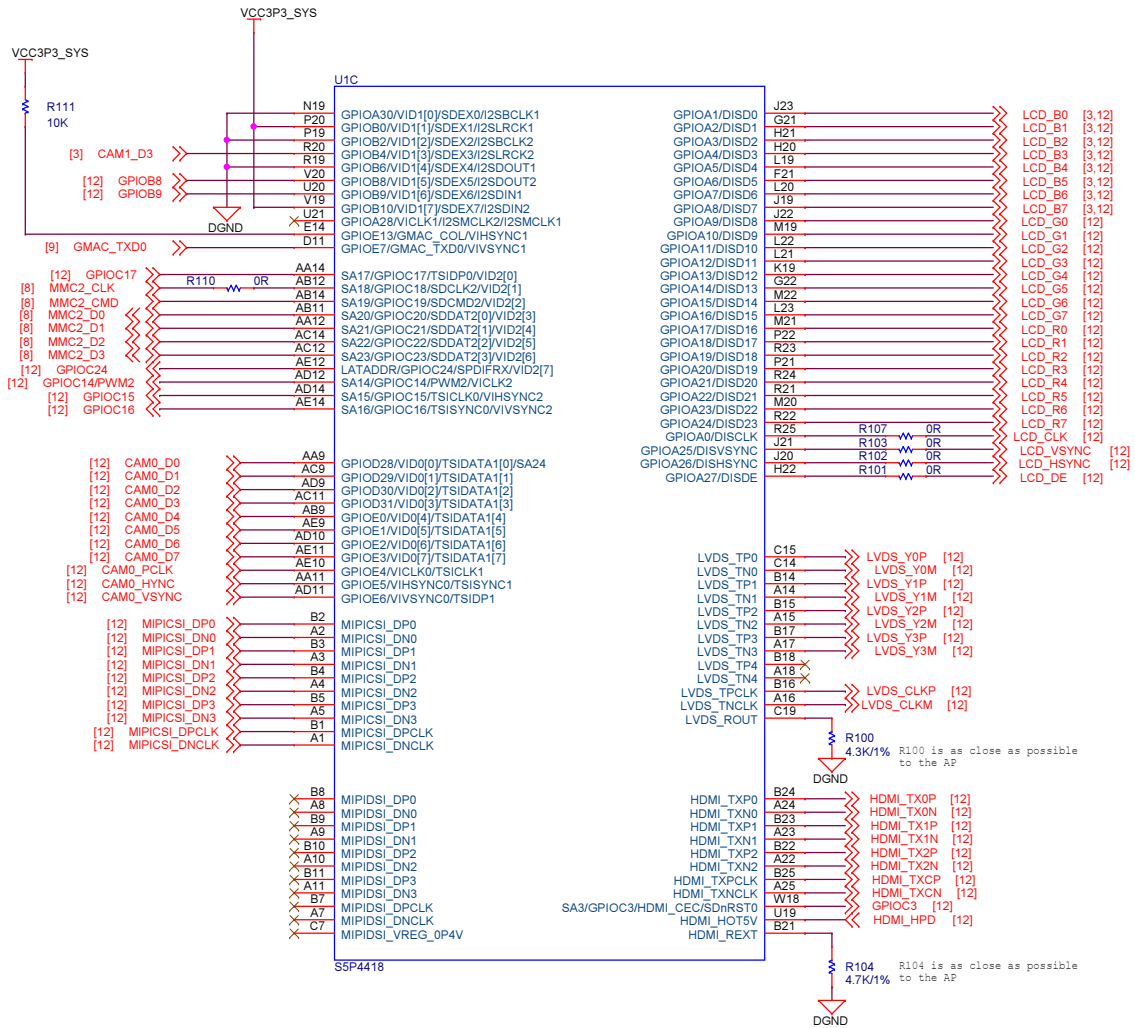


PCB Version

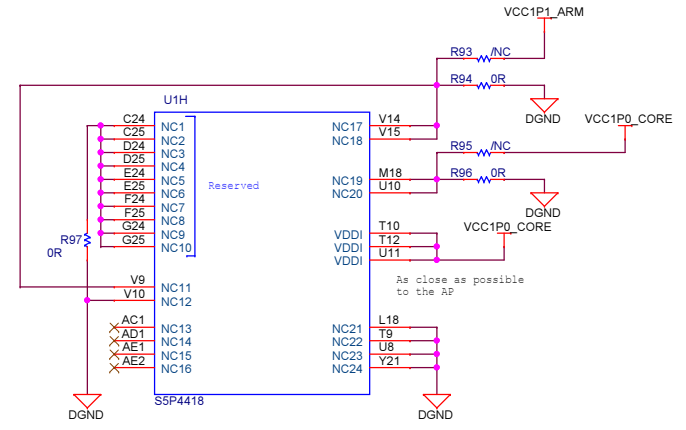


FRIENDLYARM

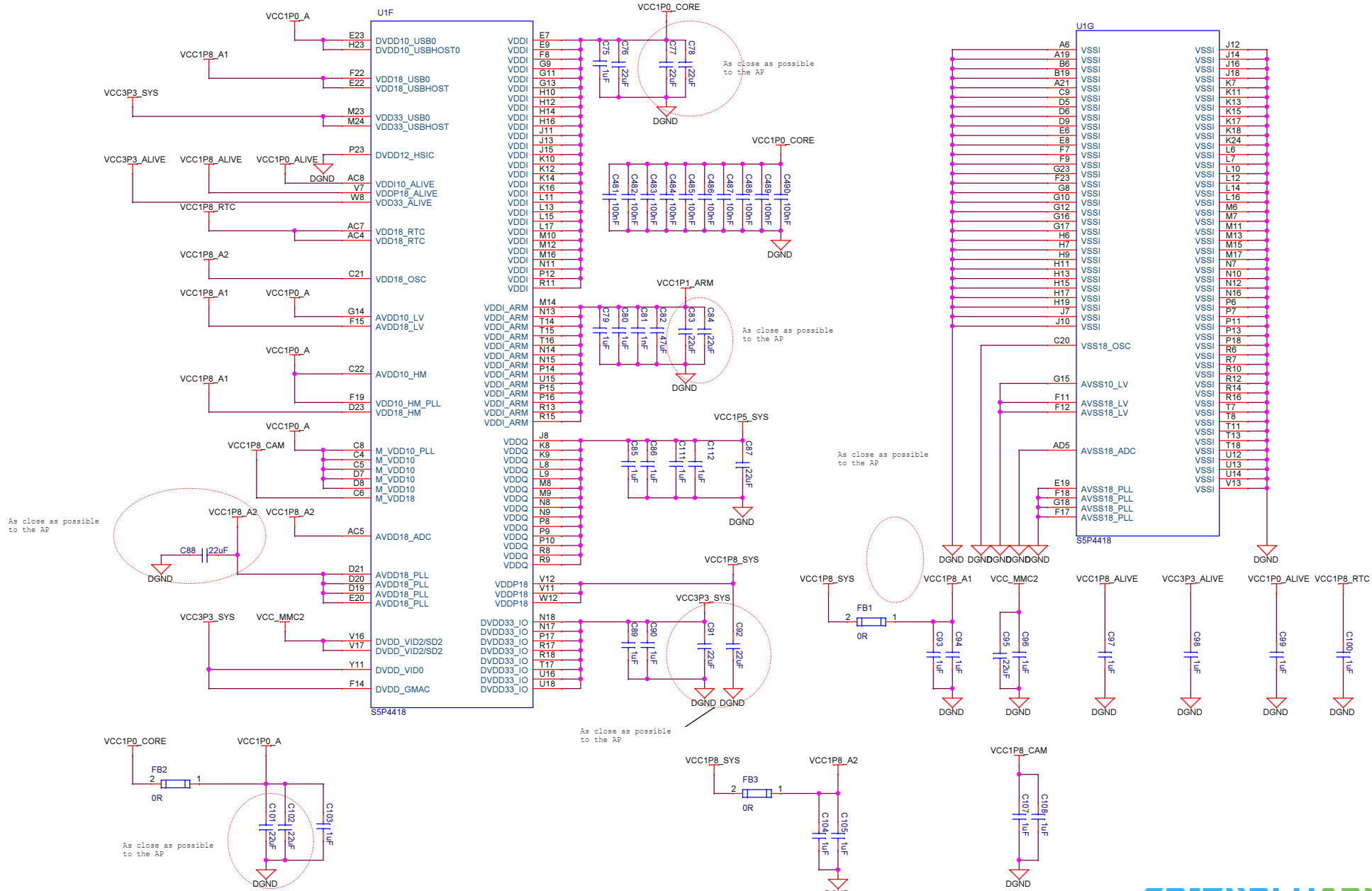




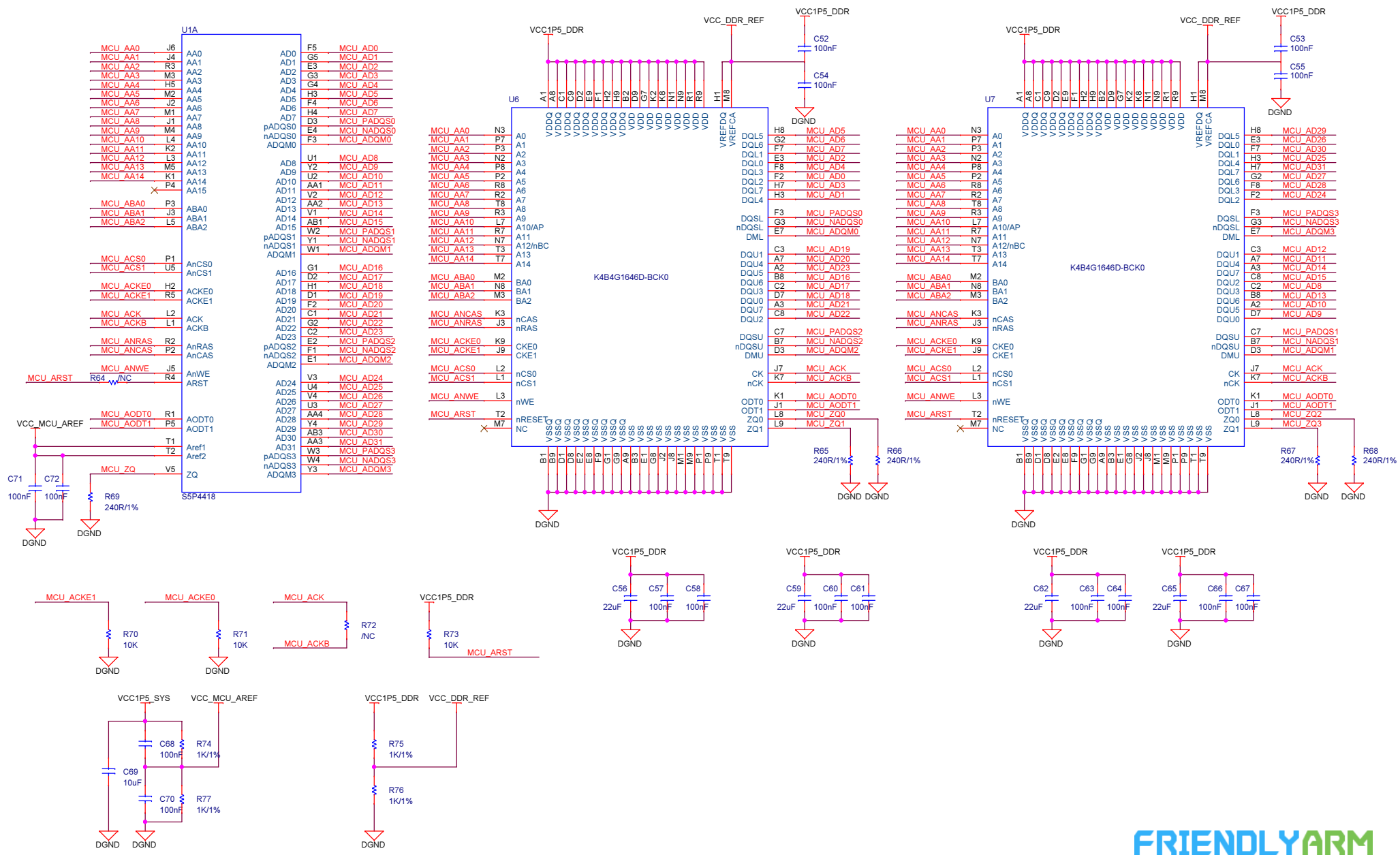
Reserved Function

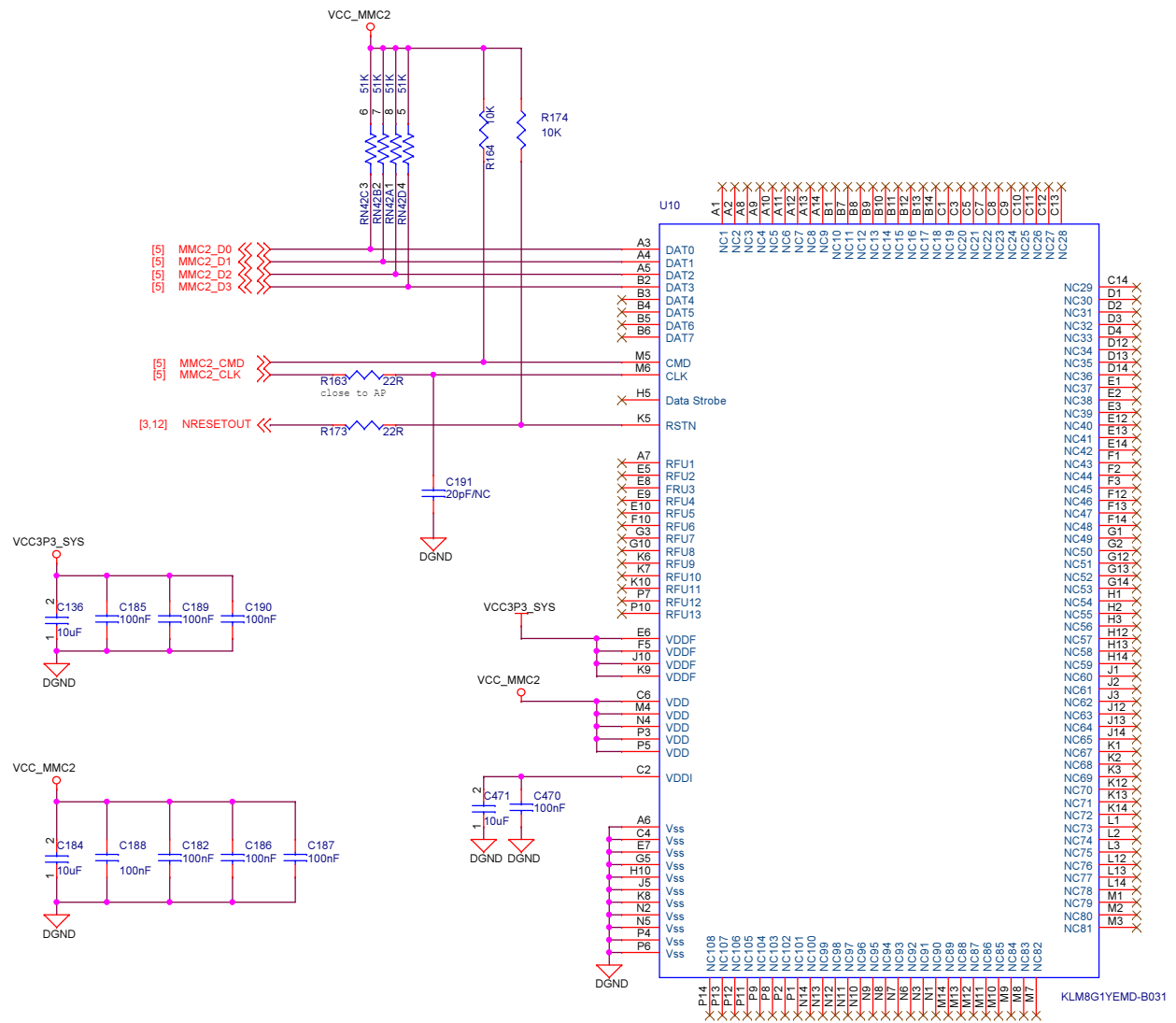


Smart4418		
Size A3	Document Number 05.AP VIP&Display	Rev 1608
Date: Friday, October 14, 2016	Sheet 5	of 12



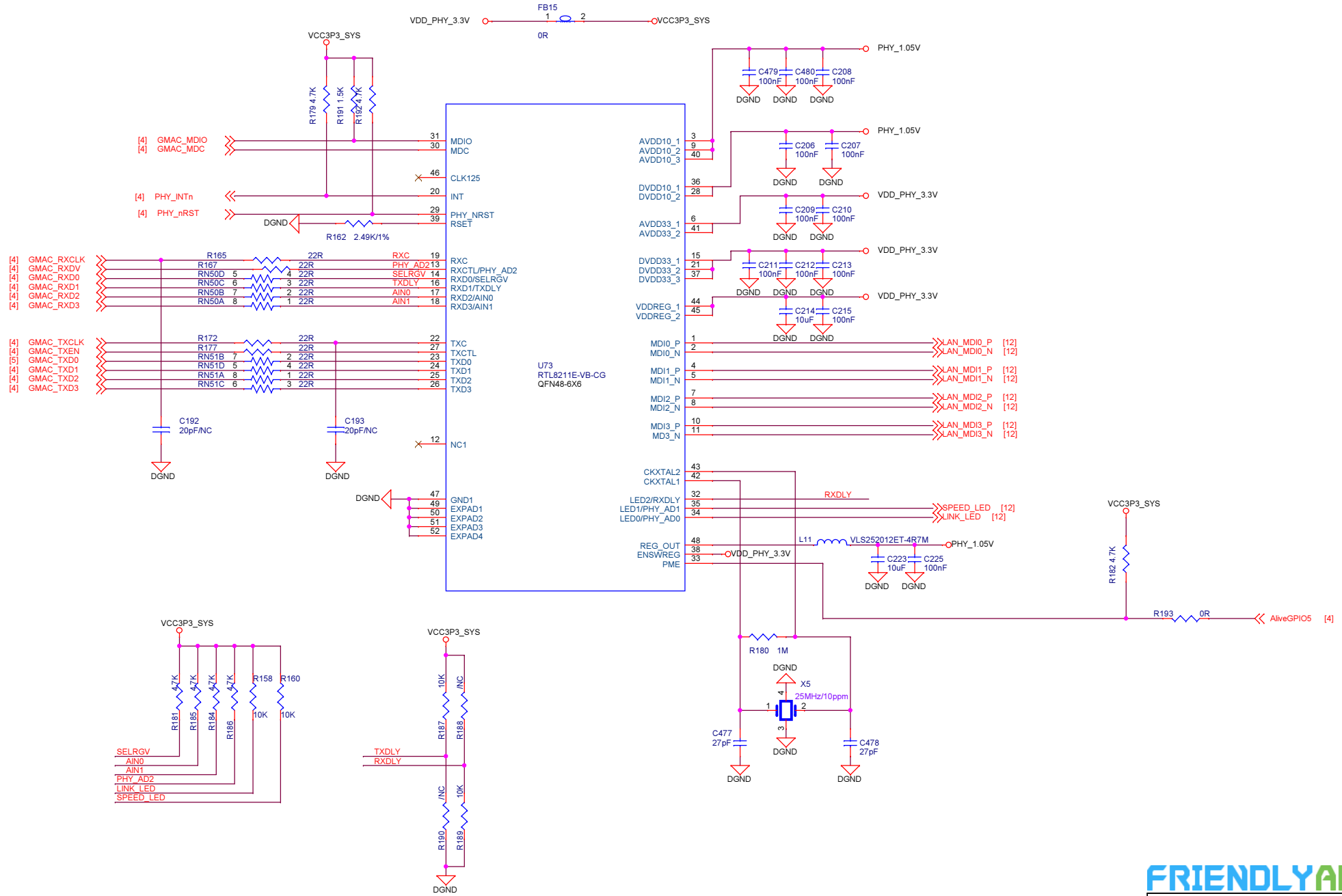
Smart4418		
Size A3	Document Number 06.AP Power	Rev 1608
Date: Friday, October 14, 2016	Sheet 6	of 12





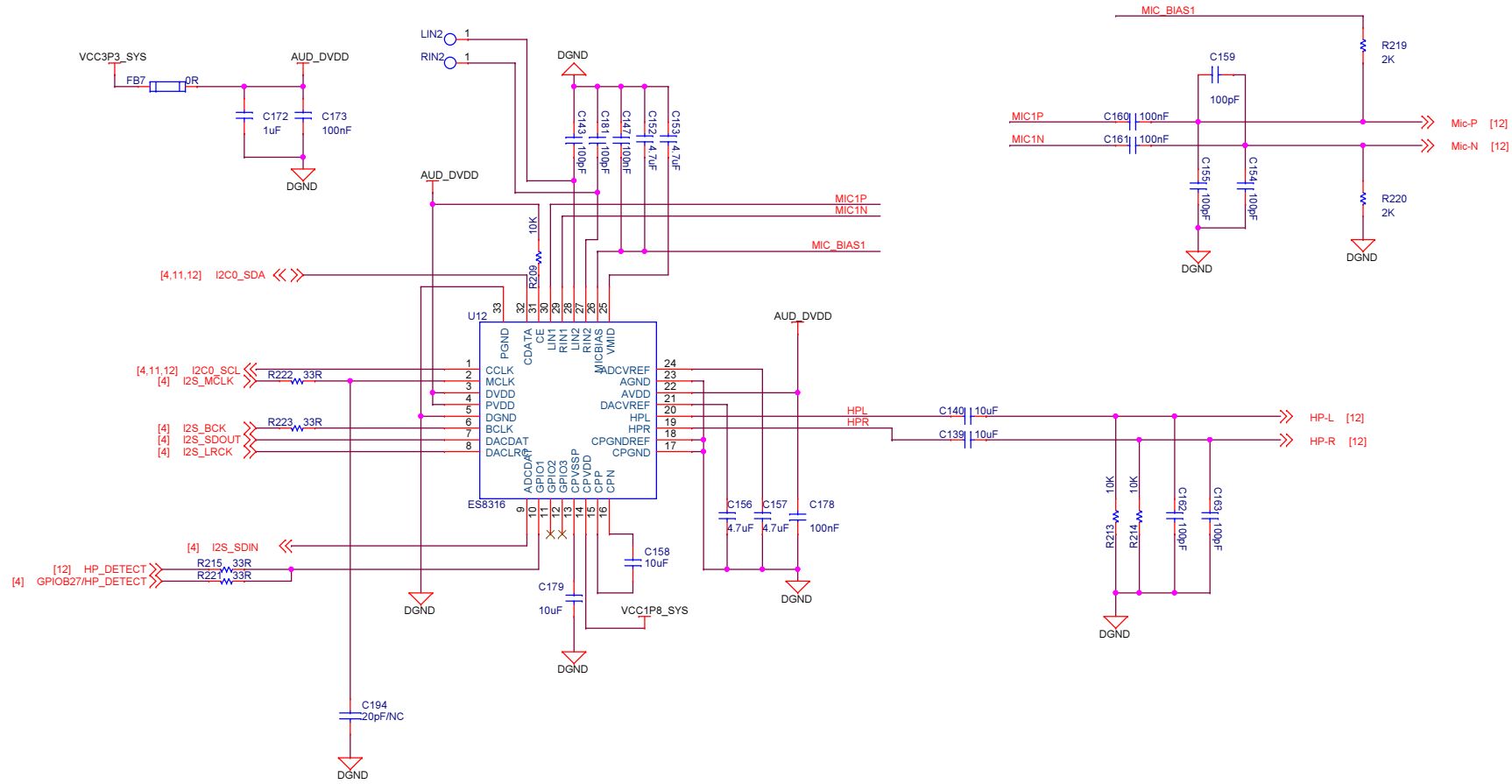
Smart4418		
Size A3	Document Number 08.eMMC	Rev 1608
Date:	Friday, October 14, 2016	Sheet 8 of 12

10/100/1000M Ethernet



Smart4418		
Size A3	Document Number 09.LAN.PHY	Rev 1608
Date: Friday, October 14, 2016	Sheet 9	of 12

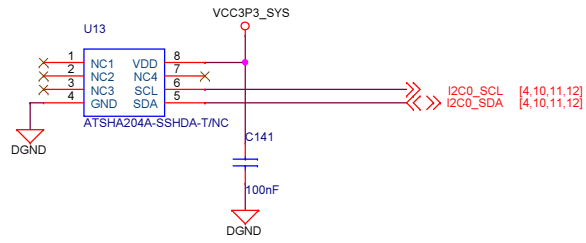
Audio



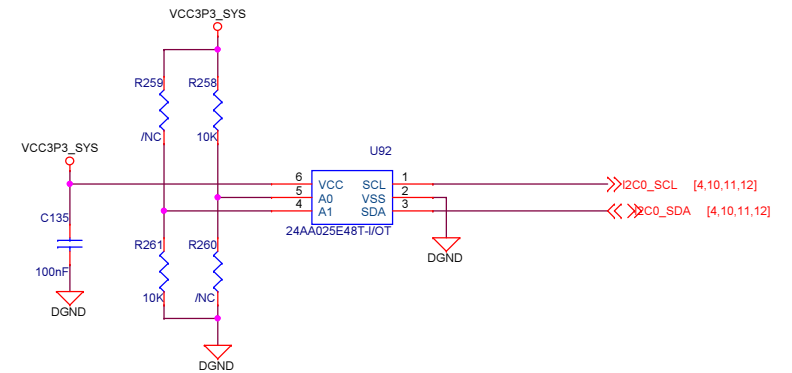
FRIENDLYARM

Smart4418		
Size A3	Document Number 10.Audio	Rev 1608
Date: Friday, October 14, 2016	Sheet 10	of 12

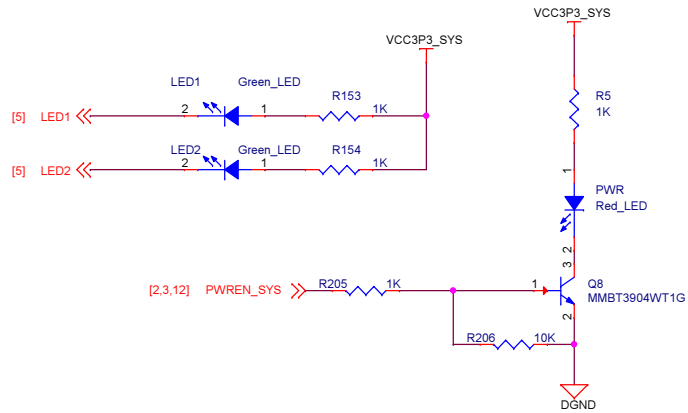
CryptoAuthentication



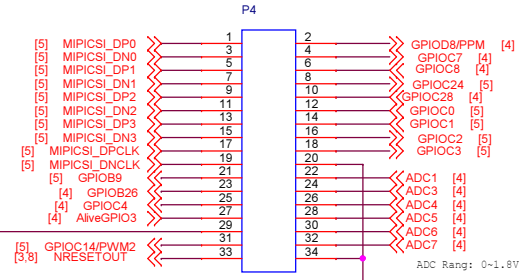
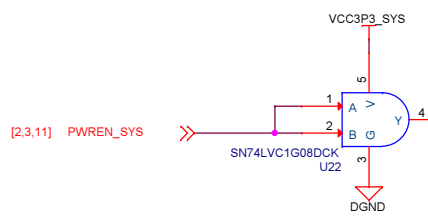
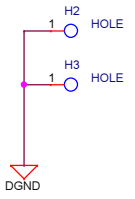
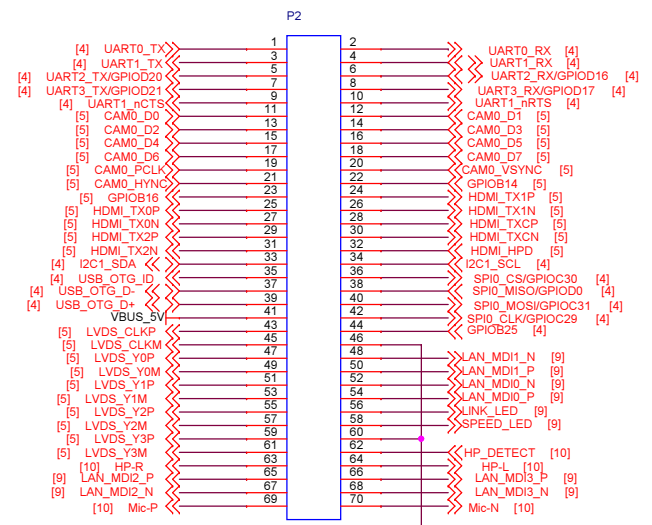
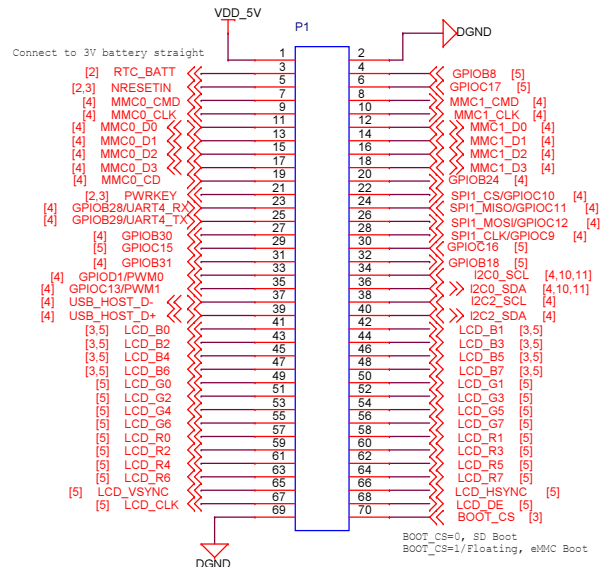
EEPROM with MAC Address



LEDs



Smart4418		
Size A3	Document Number 11.EEPROM_SHA-256	Rev 1608
Date: Friday, October 14, 2016	Sheet 11	of 12



Smart4418		
Size A3	Document Number 12.Connector	Rev 1608
Date: Friday, October 14, 2016	Sheet 12 of 12	